

## 230V ac Relay Unit



CMIO353 - Relay Unit

### Overview

An extensive range of interfaces are available to support the Cooper range of control panels, providing solutions for most design requirements.

The 230V ac relay unit (CMIO353) enables simple interfacing between the fire system and other equipment such as nurse call systems or access control systems.

The ability of the output unit to switch mains also makes the unit ideal for plant control or mains powered door holders.

The input is monitored for open and short circuits therefore can be used for fire input applications such as monitoring sprinkler flow switches.

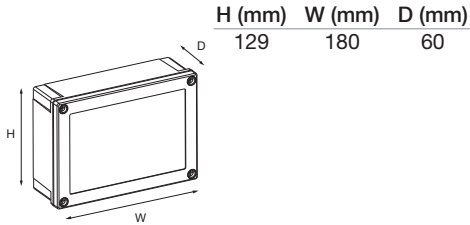
### Features

- Soft addressed
- Integral short circuit isolator
- Single address
- Mains rated relay unit
- Input monitored for open and short circuits

### Benefits

- Quick and simple to install
- No hard addressing required (Plug and play)
- Achieves simplified inter-panel interfacing

## Dimensions



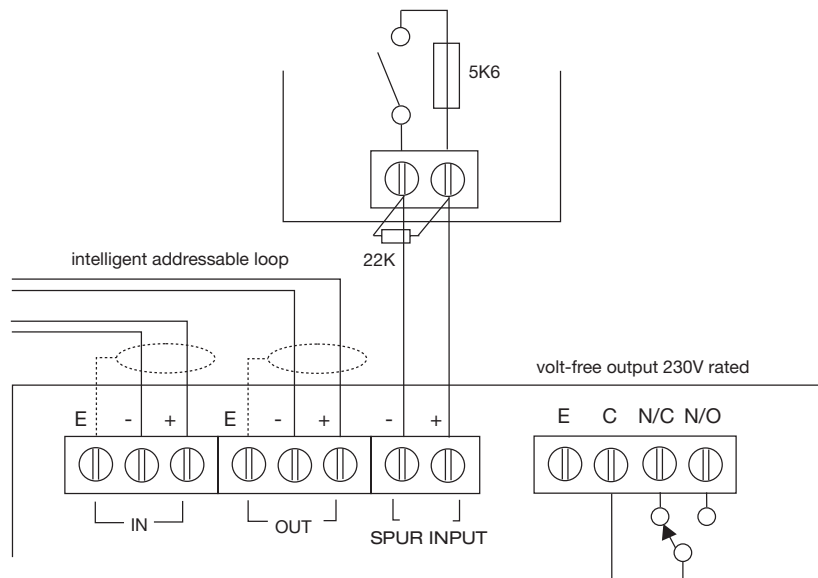
## Technical Specification

Code	CMIO353
Description	230V ac Relay Unit
Standards	EN54 Pt17 & Pt18 2005
<b>Specification</b>	
Operating Voltage	18V dc to 30V dc
Quiescent Current	310µA
Maximum Switching Voltage	230V ac
Maximum Switching Current	8A
<b>Environmental</b>	
Operating Temperature	-10°C to +60°C
Humidity (non condensing)	0 to 95% RH
<b>Physical</b>	
Construction	PC/ABS
Dimensions (H x W x D)	129mm x 180mm x 60mm
Weight	0.6kg
Ingress Protection	IP65
<b>Compatibility</b>	
Suitable for use with	Cooper Intelligent Addressable Fire Systems

## Installation

1. Mains rated input relay is designed for surface fixing.
2. All connections are via heavy duty terminals.
3. Cable entry can be top, bottom or side.
4. Output relay contacts are rated at 230V ac.

## Standard Connections



### NOTES:

1. Earth (Screen) cable must be connected to its adjacent earth terminal.
2. The end of line resistor must always be fitted, even if input is not used.
3. Input circuit is monitored for wiring open and short circuit.
4. Output relay is a set of changeover volt free-contacts and is not monitored.

## Product Codes

Code	Description
CMIO353	230V ac Relay Unit

Descriptions represent only particulars of the goods to which they apply and do not form part of any contract. The company reserves the right to change specification without prior notification or public announcement.