

# Fan Controller Unit



FC6 - Fan Controller Unit

## Overview

The fan controller units (FC18) and (FC6) are designed to work with the Cooper range of intelligent addressable control panels, providing the capability to control and display the status of AHU fans.

The (FC18) and (FC6) are connected to a Cooper intelligent addressable control panel by means of the comms loop, utilizing only one address whilst providing the ability to monitor and control up to 18/6 AHU fans.

Each (FC18) and (FC6) unit incorporates its own CPU specifically configured to control the relevant input and output logic making programming quick and easy via the Cooper site installer software.

Using Cooper site installer software, each individual fan control channel is programmed to an output and feedback input field device to control and monitor the status of an AHU fan.

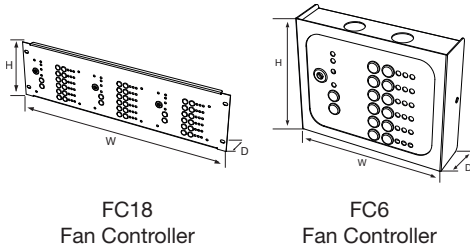
## Features

- Soft addressed
- Integral short circuit isolator
- Single address
- Designed to operate in conjunction with the Cooper technical I/O unit (CFC301)
- Comprehensive LED display
- Surface or rack mounting
- Key operated auto/manual operation
- Comprehensive cause and effect software
- Controls:
  - FC6 up to 6 fans
  - FC18 up to 18 fans
- Automatic or manual operation

## Benefits

- Quick and simple to install
- No hard addressing required (plug and play)
- Control and feedback in one unit
- Cost effective installation solution

## Dimensions



FC18  
Fan Controller

FC6  
Fan Controller

Description	H (mm)	W (mm)	D (mm)
FC18	133	482	30
FC6	125	155	42

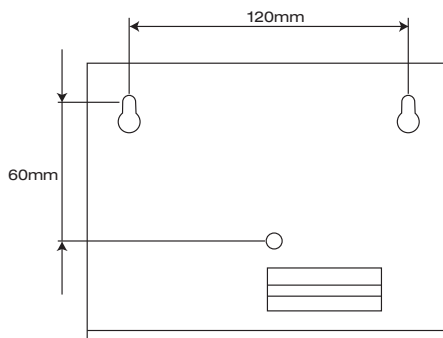
## Technical Specification

Code	FC18	FC6 / FC6-AU
Description	Fan Controller Unit, Rack Mount	Fan Controller Unit, Surface Mount
<b>Specification</b>		
External 24V Supply	18V dc to 24V dc	18V dc to 24V dc
External Current	150mA	150mA
Quiescent Current	310µA (nom)	310µA (nom)
<b>Environmental</b>		
Operating Temperature	-10°C to +60°C	-10°C to +60°C
Humidity (Non Condensing)	0 to 95% RH	0 to 95% RH
<b>Physical</b>		
Dimensions (H x W x D)	133mm x 482mm x 30mm	125mm x 155mm x 42mm
<b>Compatibility</b>		
Suitable for use with	Cooper Intelligent Addressable Fire Systems	Cooper Intelligent Addressable Fire Systems

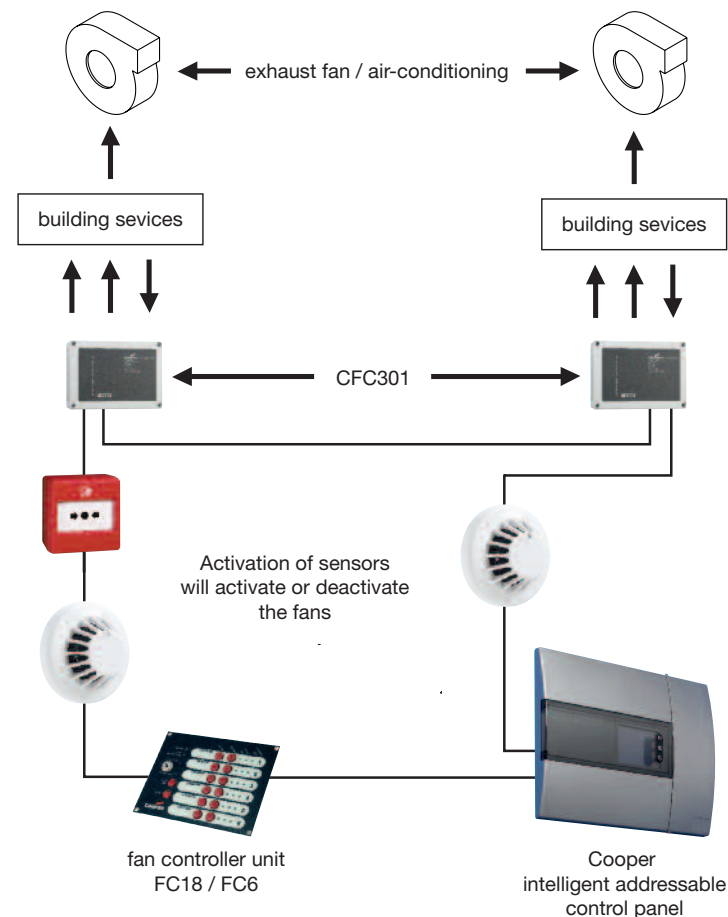
## Mounting Details

The FC18 is designed to be rack mounted.  
The FC6 is designed to be surface mounted.  
The FC6-AU is supplied un-mounted.

### FC6 - Fixing Centres



## Typical System Architecture



## Product Codes

Code	Description
FC6	Fan Controller Unit (surface mount)
FC18	Fan Controller Unit (rack mount)
FC6-AU	Fan Controller Unit (Australia standard - supplied w/o back box)

Descriptions represent only particulars of the goods to which they apply and do not form part of any contract. The company reserves the right to change specification without prior notification or public announcement.